

# FUJITSU COMPONENTS ALL PLASTIC FERRULE FOR OPTICAL CONNECTOR

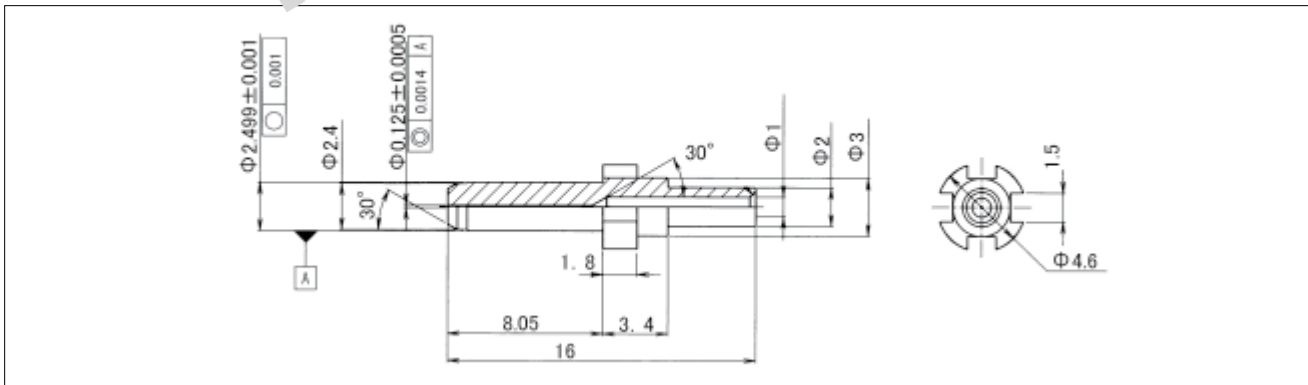
## ■ FEATURES

- High precision all plastics ferrule supports single mode (SC type)
- High mechanical strength with good weather resistance
- Optical characteristics equivalent to Zirconia ferrule
- Saves labor cost required for polishing process

## ■ SPECIFICATIONS

Item	Specifications
Outside Diameter	2.499±0.001mm
Circularity	0.001mm maximum
Concentricity	0.0014mm maximum
Hole diameter	0.125±0.0005mm

## ■ DIMENSIONS



### Fujitsu Components International Headquarter Offices

#### Japan

Fujitsu Component Limited  
 Gotanda-Chuo Building  
 3-5, Higashigotanda 2-chome, Shinagawa-ku  
 Tokyo 141, Japan  
 Tel: (81-3) 5449-7010  
 Fax: (81-3) 5449-2626  
 Email: promotiq@ft.ed.fujitsu.com  
 Web: www.fcl.fujitsu.com

#### North and South America

Fujitsu Components America, Inc.  
 250 E. Caribbean Drive  
 Sunnyvale, CA 94089 U.S.A.  
 Tel: (1-408) 745-4900  
 Fax: (1-408) 745-4970  
 Email: marcom@fcai.fujitsu.com  
 Web: www.fcai.fujitsu.com

#### Europe

Fujitsu Components Europe B.V.  
 Diamantlaan 25  
 2132 WV Hoofddorp  
 Netherlands  
 Tel: (31-23) 5560910  
 Fax: (31-23) 5560950  
 Email: info@fceu.fujitsu.com  
 Web: www.fceu.fujitsu.com

#### Asia Pacific

Fujitsu Components Asia Ltd.  
 102E Pasir Panjang Road  
 #04-01 Citilink Warehouse Complex  
 Singapore 118529  
 Tel: (65) 375-8560  
 Fax: (65) 273-3021  
 Email: fcal@fcal.fujitsu.com  
 www.fcal.fujitsu.com